

The TC-651M is a highly intelligible, general-purpose speaker suited to public address announcement applications. Its external speaker component finished with powder coating, and stainless steel screws ensure the unit's weatherproof capability.



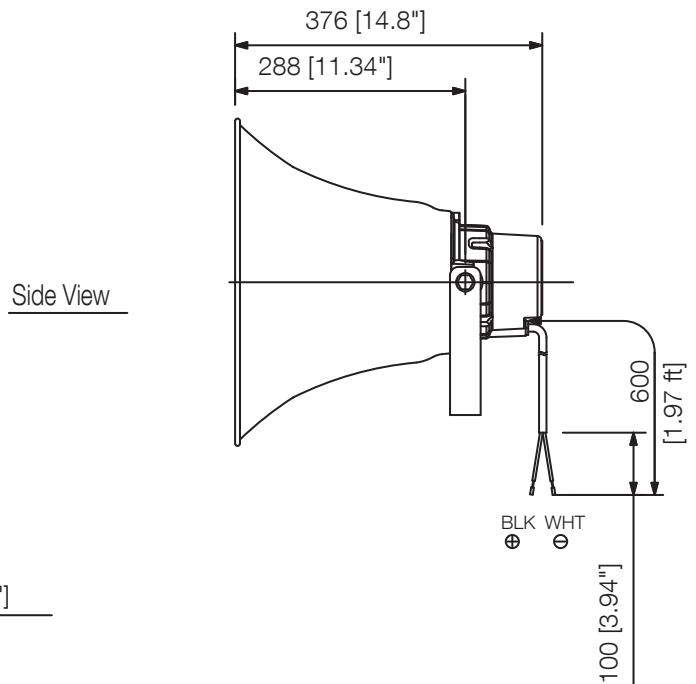
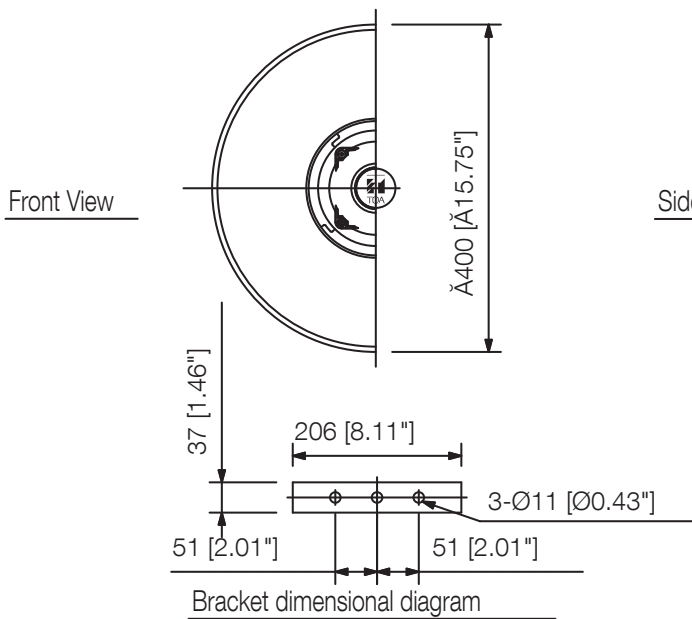
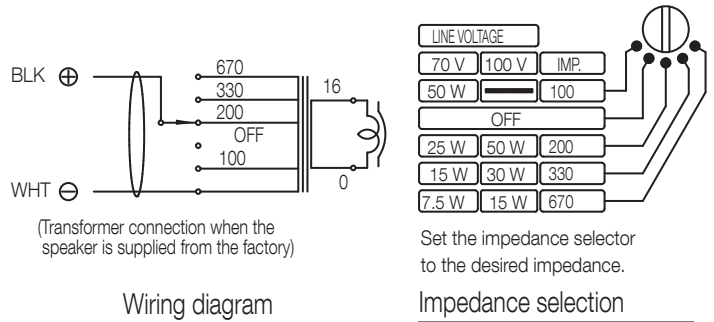
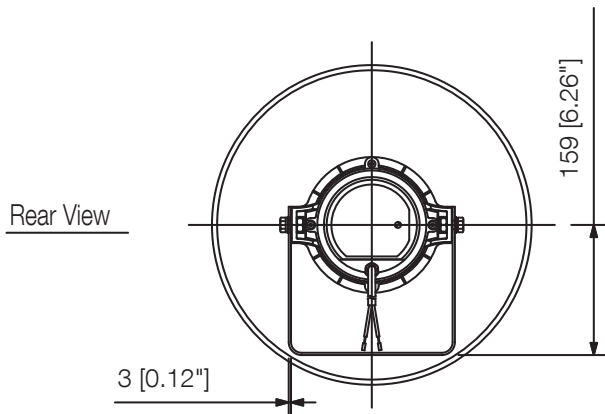
Article number:TC-651M

Specifications

| | |
|------------------------------|---|
| Frequency response | 200 Hz - 6 kHz |
| Sensitivity (1#V, 1#m) | 111 dB |
| Rated input (High Impedance) | 50 W |
| Tappings | 100V LINE: 200Ω (50W), 330Ω (30W), 670Ω (15W) 70V LINE: 100Ω (50W), 200Ω (25W), 330Ω (15W), 670Ω (7.5W) |
| Operating temperature | -20°C to +60°C |
| Certificates | IP65 |
| Dimensions | 400 x 376 mm (Ø x D) |
| Gross weight | 5,6 KG |
| Finish | Aluminium, powder coating, traffic white (RAL 9016 or equivalent), |
| Weight | 4 kg |

Appearance

CAUTION
NEVER SET THE SWITCH TO " " POSITION
FOR 100 V LINE OPERATION, AS DOING SO MAY
RESULT IN DAMAGE TO THE SPEAKER.



UNIT:mm

SCALE:1/10