

The TC-631M is a highly intelligible, general-purpose speaker suited to public address announcement applications. Its external speaker component finished with powder coating, and stainless steel screws ensure the unit's weatherproof capability.

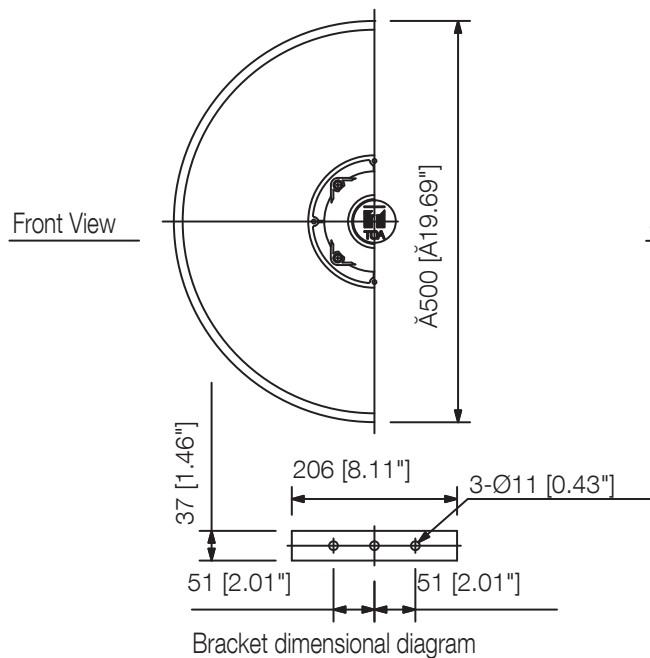
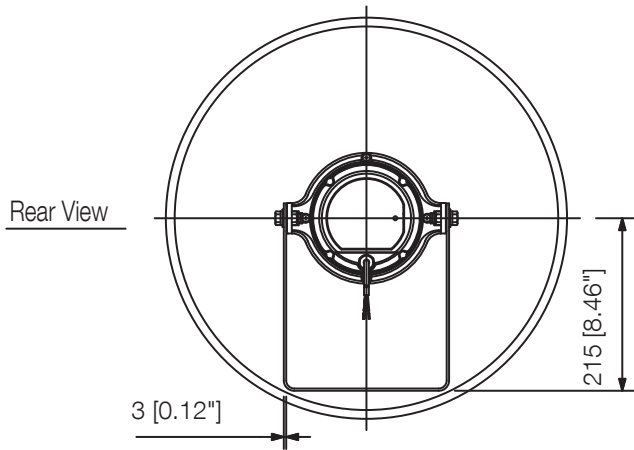


Article number:TC-631M  
Alternative products: TC-615, TC-615M,  
TC-631

### Specifications

Frequency response	200 Hz - 6 kHz
Sensitivity (1#V, 1#m)	110 dB
Rated input (High Impedance)	30 W
Tappings	100V line: 330 Ω (30W), 670Ω (15W), 1kΩ (10W), 2kΩ (5W)70V line: 170Ω (30W), 330Ω (15W), 670Ω (7.5W), 1kΩ (5W), 2kΩ (2.5W)
Operating temperature	-20°C to +60°C
Certificates	IP65
Dimensions	500 x 463 mm (Ø x D)
Gross weight	5,64 KG
Finish	Aluminium, powder coating, traffic white (RAL 9016 or equivalent),
Weight	4.5 kg

Appearance



UNIT:mm

SCALE:1/10

