

DESCRIPTION

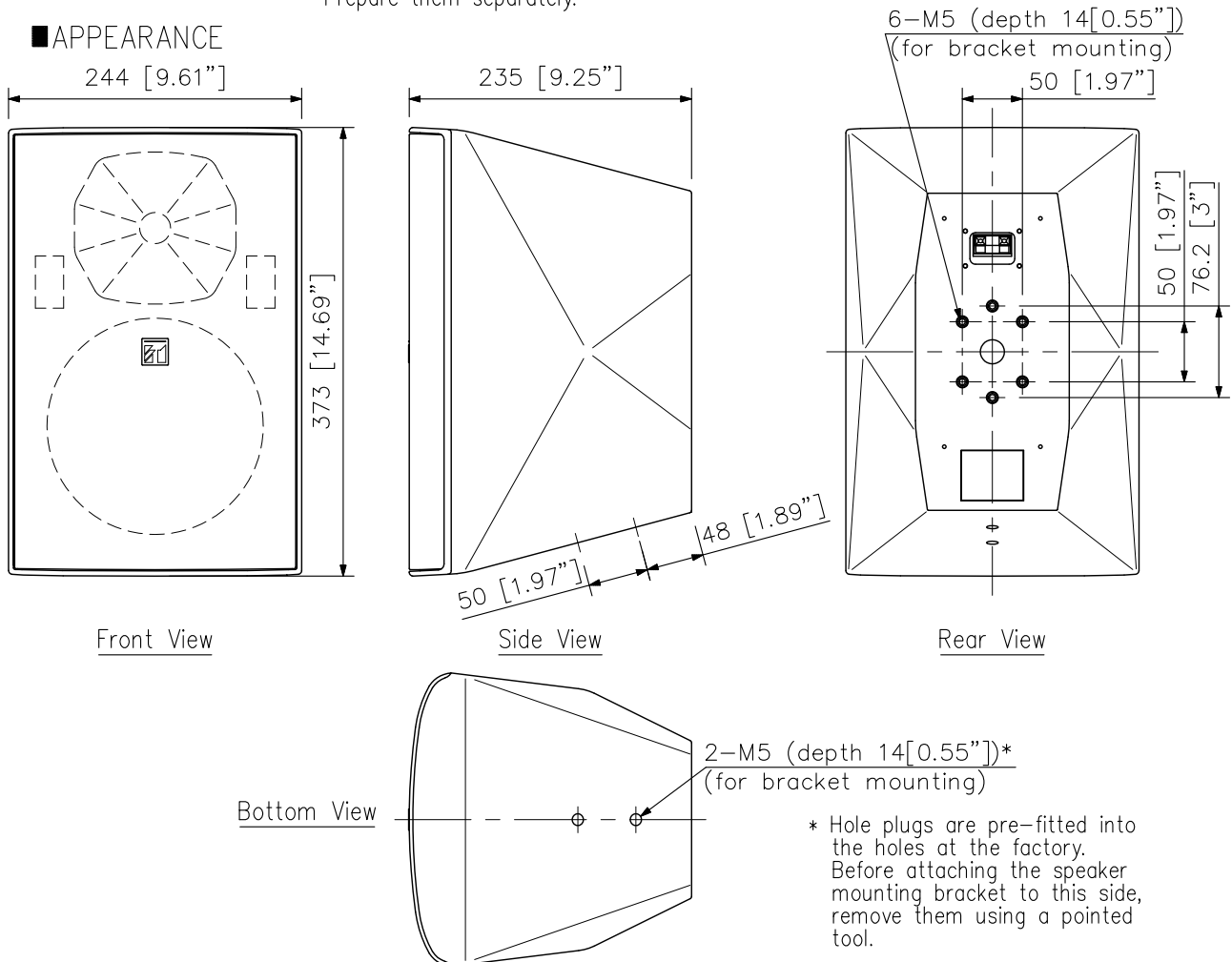
The F-2000 Series Speaker are compact two-way speaker systems designed for high efficiency, wide range, and high power input handling capability. These speaker systems can be installed in a manner ideal for the location and intended application.

SPECIFICATIONS

| | |
|-------------------------|--|
| Enclosure | Bass-reflex type |
| Power Handling Capacity | Continuous pink noise: 60 W Continuous program: 180 W |
| Rated Impedance | 8 Ω |
| Sensitivity | 92 dB (1 W, 1 m) at installation in 1/2 free sound field 93 dB (1 W, 1 m) at installation in 1/2 free sound field (with horn adapter) |
| Frequency Response | 65 - 20,000 Hz, -10 dB at installation in 1/2 free sound field |
| Crossover Frequency | 2.5 kHz |
| Directivity Angle | Horizontal: 110°, Vertical: 100° Horizontal: 80°, Vertical: 80° (with horn adapter) |
| Speaker Component | Low frequency: 20 cm (8") cone-type High frequency: 25 mm (1") dome tweeter |
| Input Terminal | Push-in terminal |
| Finish | Enclosure: HIPS, white Punched net: Surface-treated steel plate, white, paint Joint bracket, wall bracket: Steel plate, t2.0, white, paint Speaker bracket: Die-cast aluminum, white, paint |
| Dimensions | 244 (W) × 373 (H) × 235 (D) mm (9.61" × 14.69" × 9.25") |
| Weight | 6.5 kg (14.33 lb) (including the supplied brackets) |
| Accessory | Speaker bracket ...1, Joint bracket ...1, Wall bracket ...1, Bracket fixing screw ... 1 set, Horn adapter ...1, Horn adapter mounting screw ...4 |
| Option | Ceiling mount bracket: HY-CM20W (used for the horizontal speaker mounting) Cluster bracket: HY-CL20B Speaker stand: ST-16A |

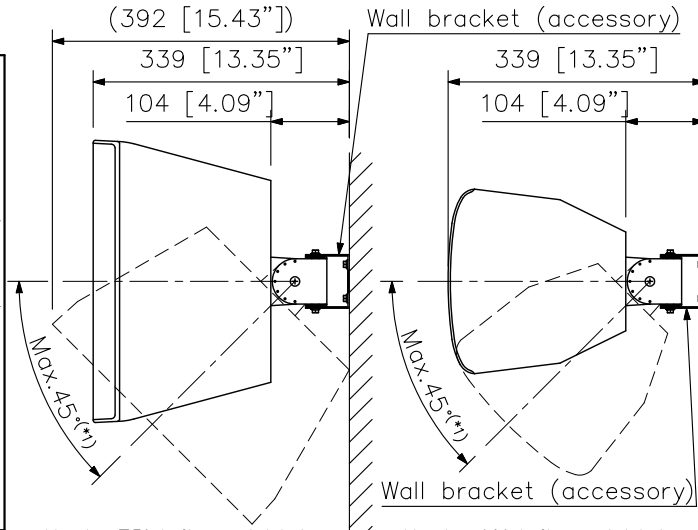
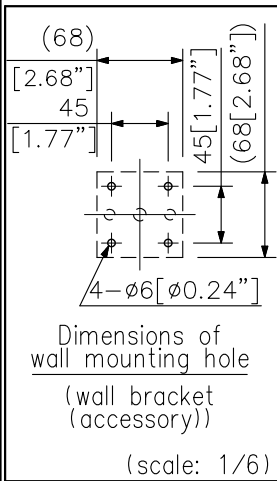
Note: Bolts and nuts for mounting the bracket to the wall or ceiling are not included. Prepare them separately.

APPEARANCE



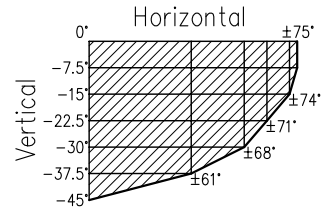
UNIT:mm SCALE:1/6

■ APPEARANCE

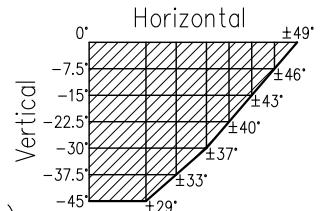


(*1) The speaker vertical angle adjustable in 7.5° steps.

(*2) Adjustable angle (vertical speaker mounting)



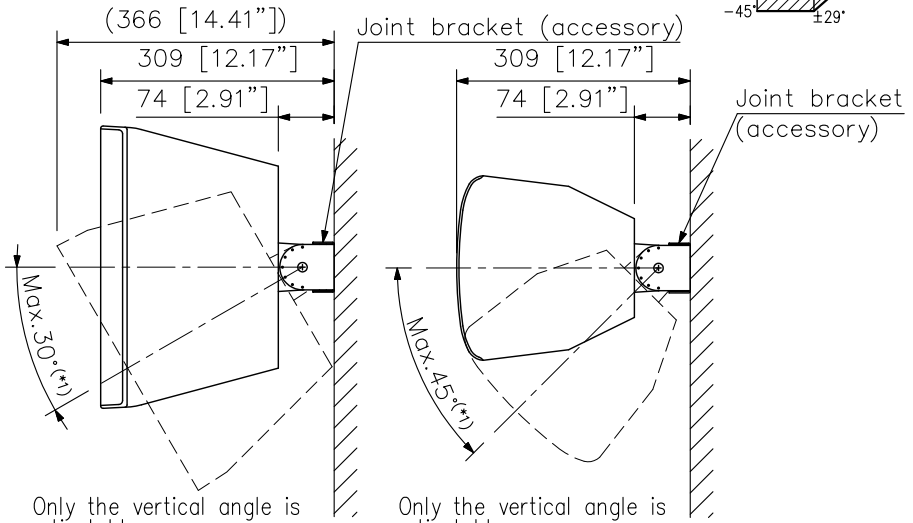
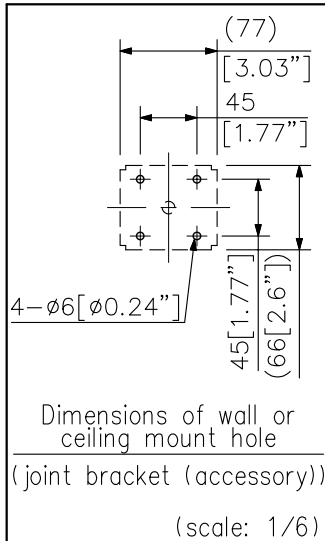
(*3) Adjustable angle (horizontal speaker mounting)



Up to 75° left or right is adjustable in a horizontal direction. (*2)

Up to 49° left or right is adjustable in a horizontal direction. (*3)

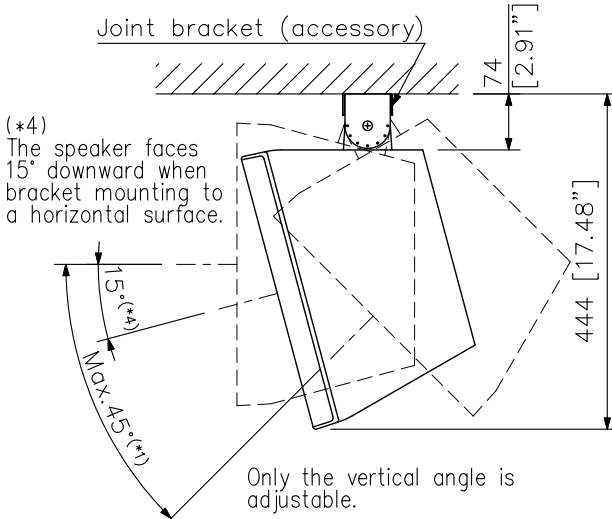
Wall mounting example



Only the vertical angle is adjustable.

Only the vertical angle is adjustable.

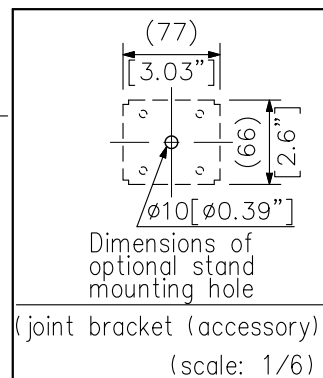
Mounting the speaker close to a wall surface



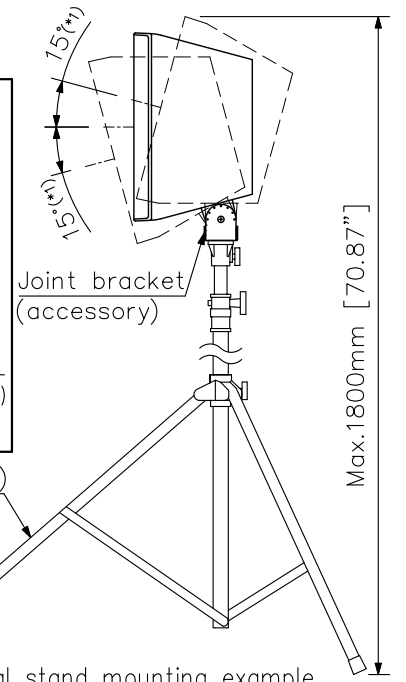
(*4) The speaker faces 15° downward when bracket mounting to a horizontal surface.

Ceiling mount example

(Only the vertical speaker mounting is allowed.)



ST-16A (option)



(Only the vertical speaker mounting is allowed.)
(scale: 1/15)

UNIT: mm SCALE: 1/10