

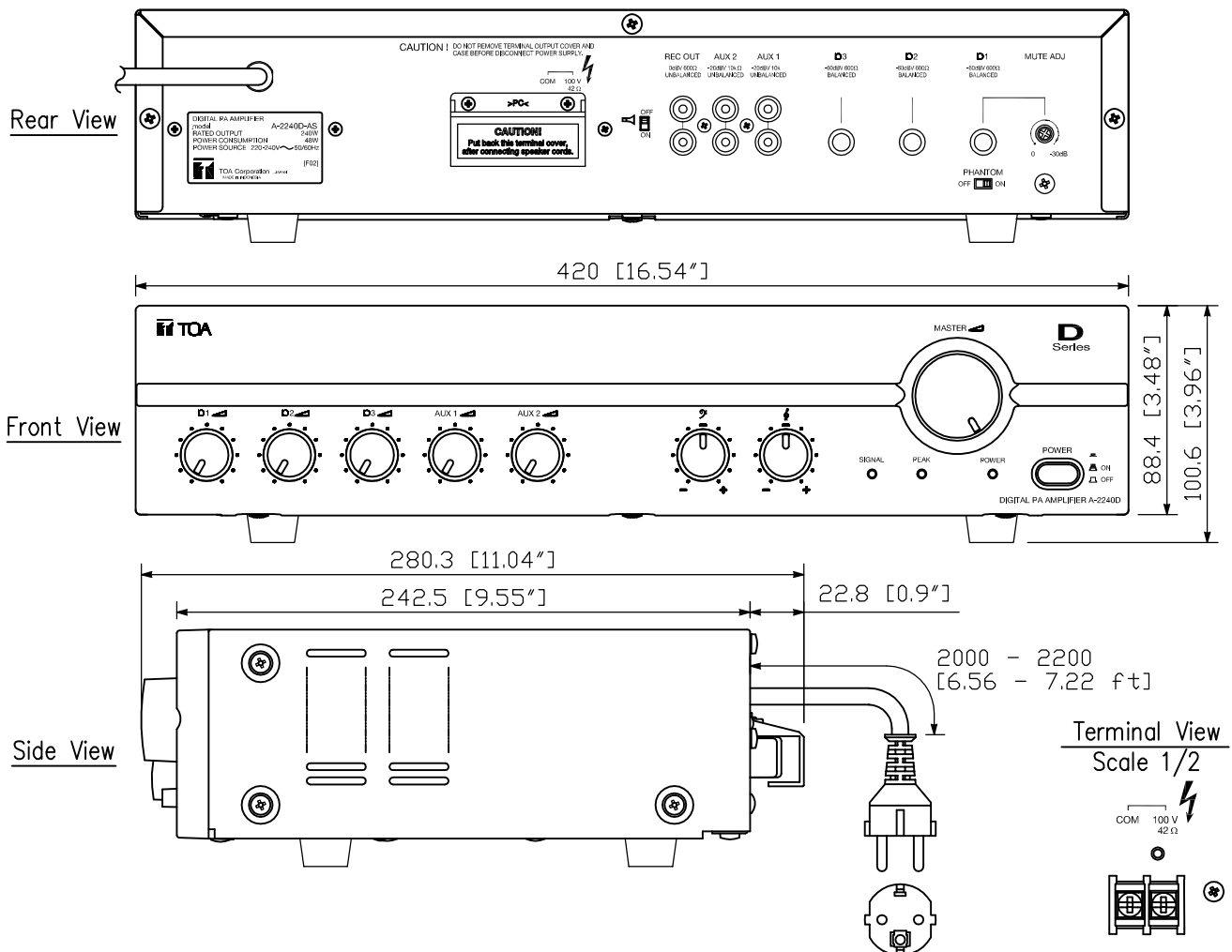
The A-2240D-AS is a high cost-performance mixer power amplifier suited for broadcasting paging or background music in schools, offices, shops, factories, mosques, churches and large rooms.

SPECIFICATION

* 0 dB = 1 V

| | |
|-----------------------------|---|
| Power Source | 220 - 240 V ~ 50/60Hz |
| Rated Output | 240 W |
| Power Consumption (EN60065) | 48 W (AC operation at 1/8 maximum output without clip) |
| Frequency Response | 50 - 20,000 Hz, ±3dB |
| Horn Filter Band | 230 - 20,000 Hz, ±3dB |
| Distortion | Under 1% at 1 kHz, 1/3 rated power |
| Input | MIC 1 - 3: -60 dB*, 600 Ω, balanced, phone jack AUX 1,2: -20 dB*, 10 kΩ, unbalanced, RCA pin jack |
| Output | Speaker out: Balanced (floating) High impedance: 42 Ω (100 V) Rec out: 0 dB*, 600 Ω, unbalanced, RCA pin jack |
| Phantom Power | DC +21 V (MIC 1) |
| S/N Ratio | Over 60 dB |
| Tone Control | Bass: ±10 dB at 100 Hz Treble: ±10 dB at 10 kHz |
| Muting | MIC 1: Mutes other input signals by 0 - 30 dB attenuation |
| Indicator | Power, peak, signal |
| Finish | Panel: ABS resin, black Case: Steel plate, black |
| Dimensions | 420 (W) X 100.6 (H) X 280.3 (D) mm (16.54" X 3.96" X 11.04") |
| Weight | 4.0 kg (8.88 lb) |

APPEARANCE



UNIT : mm SCALE : 1/3