

# PA-2000A/4000A



## PUBLIC ADDRESS AMPLIFIER



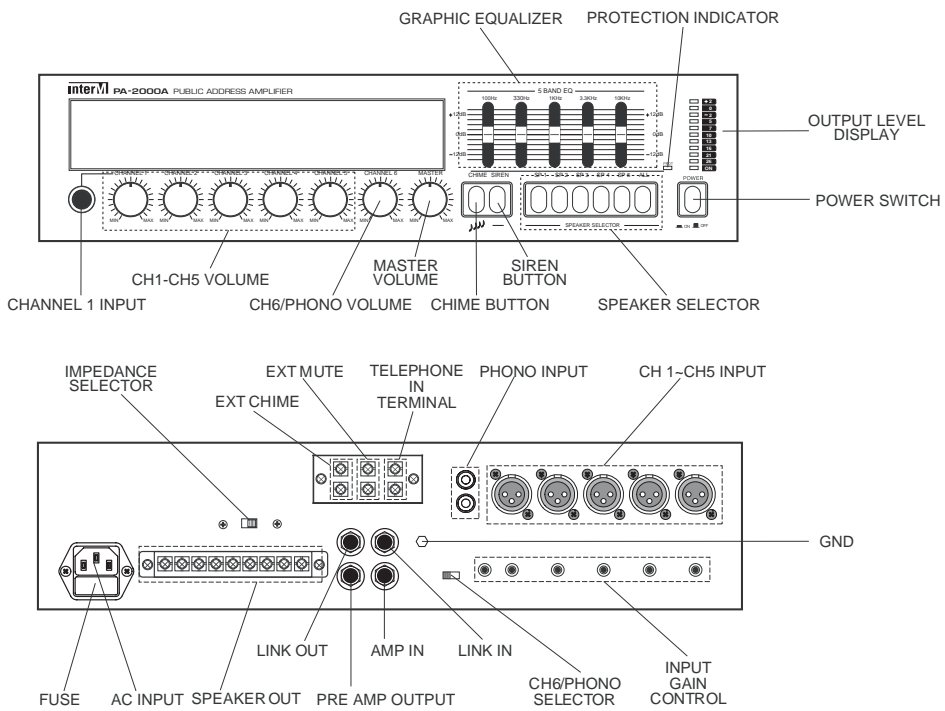
### FEATURES

- Six Input Channels with Adjustable Input Sensitivity and Individual Level Controls  
Rear-panel level controls adjust each input channel from Mic to Aux level.
- Five-Band Graphic Equalizer  
Five-band graphic equalizer allows you to shape the tonal balance of your program material.
- Speaker Select  
Six speaker select switches enable you to select any combination of up to five speakers.
- Phono Level Input  
Switchable input level on Channel 6 allows for connection of phono level source.
- Announcement Chime and Siren  
Convenient four-tone chime and electronic siren for use with announcements.

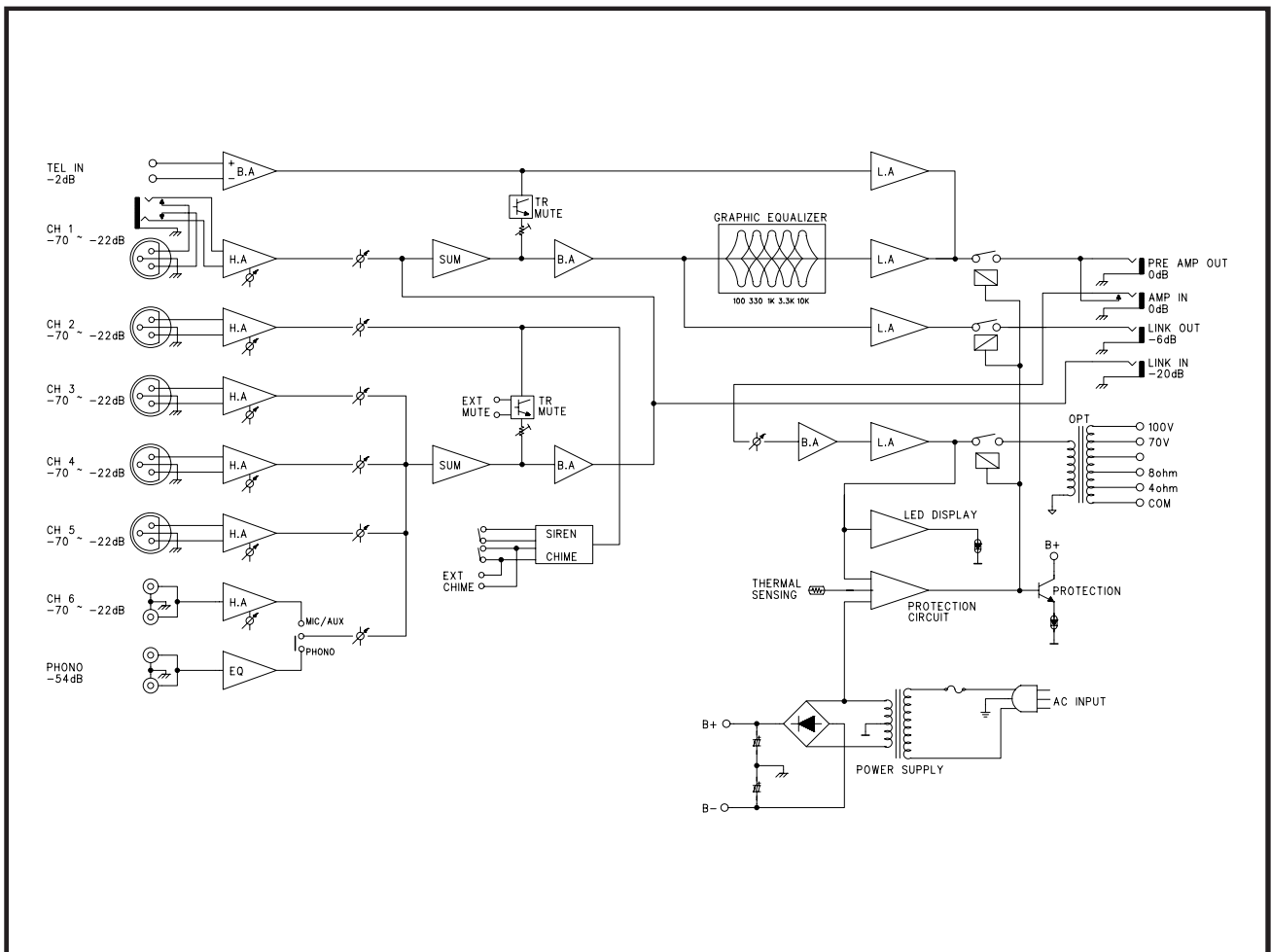
### SPECIFICATIONS

- ELECTRICAL \* 0dB=0.775Vrms
  - Rated Output (RMS) .....PA-2000A: 60W  
PA-4000A: 120W
  - Frequency Response.....60Hz-20kHz
  - Total Harmonic Distortion(T.H.D) .....Less than 1%
  - Signal to Noise Ratio (S/N) .....105dB
  - Graphic Equalizer .....±12dB  
(100Hz, 330Hz, 1kHz, 3.3kHz, 10kHz)
  - Input Sensitivity/Impedance
    - CH1-CH6 .....-70~-22dB/600Ω
    - Phono.....-54dB/22kΩ
    - Link In .....-20dB/15kΩ
    - Telephone In.....-2dB/600Ω
    - Amp In.....0dB/47kΩ
  - Speaker Output/Impedance
    - .....PA-2000A: 60W: 4Ω, 8Ω, 83Ω(70V), 165Ω(100V)
    - PA-4000A: 120W: 4Ω, 8Ω, 42Ω(70V), 83Ω(100V)
  - Amp Out/Impedance .....0dB/600Ω
  - Link Out/Impedance .....-6dB/600Ω
- GENERAL
  - Power Source..100-120VAC or 220-240VAC; 50/60Hz  
(Supplied AC mains transformer depends on country requirements)
  - Power Consumption .....PA-2000A: 95W  
PA-4000A: 120W
  - Weight .....PA-2000A: 10kg/22lb  
PA-4000A: 12kg/26lb
  - Dimensions .....PA-2000A: 420(W)x100(H)x320(D)mm  
16.5(W)x3.9(H)x12.5(D)in  
PA-4000A:420(W)x133(H)x320(D)mm  
16.5(W)x5.2(H)x12.5(D)in

# PA-2000A/4000A



## BLOCK DIAGRAM



**interM**

OFFICE : 653-5 BANGHAK-DONG, DOBONG-KU, SEOUL, KOREA TEL : 82-2-2289-8140-8, FAX : 82-2-2289-8149  
 Home page : <http://www.inter-m.com> E-mail : [export@inter-m.com](mailto:export@inter-m.com)

# PA-6000A



## PUBLIC ADDRESS AMPLIFIER



### FEATURES

- A public Address amplifier with rated output of 240W
- SIX INPUT CHANNELS WITH ADJUSTABLE INPUT SENSITIVITY AND INDIVIDUAL LEVEL CONTROLS  
Rear-panel level controls adjust each input channel from Mic to Aux level.
- FIVE-BAND GRAPHIC EQUALIZER  
Five-band graphic equalizer allows you to shape the tonal balance of your program material.
- SPEAKER SELECT  
Six speaker select switches enable you to select any combination of up to five speakers.
- PHONO LEVEL INPUT  
(CD LEVEL SOURCE FOR USA/CANADA & ASSOCIATED VERSION)  
Switchable input level on Channel 6 allows for connection of phono level source.
- ANNOUNCEMENT CHIME AND SIREN  
Convenient four-tone chime and electronic siren for use with announcements.
- EXTERNAL MUTE FUNCTION
- TELEPHONE INPUT FUNCTION

### SPECIFICATIONS

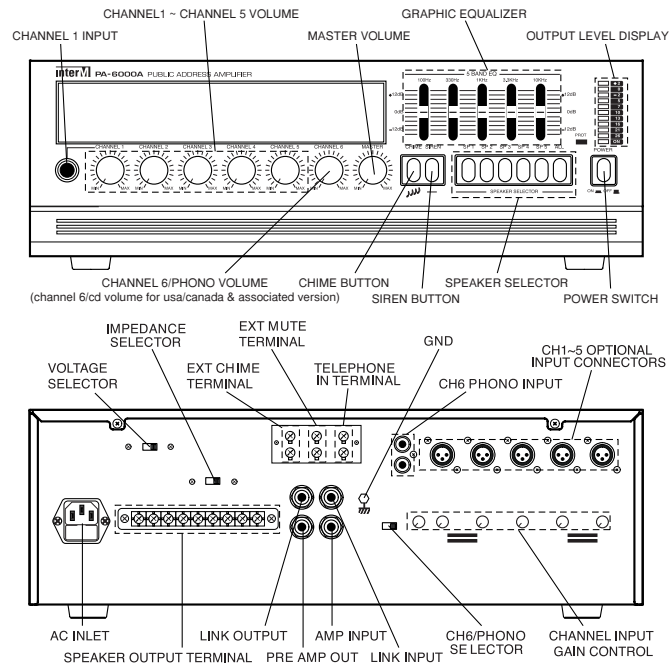
#### ■ ELECTRICAL

- Rated Output (RMS) .....240W
- Frequency Response .....CH1~CH6:120Hz-10kHz  
Telephone In:330Hz-3.3kHz  
Link In:80Hz-12kHz, Amp In:60Hz-15kHz
- T.H.D .....CH 1~CH 6, Phono:Less than 1%  
Telephone In, Link In:Less than 0.5%  
Amp In:Less than 0.5%
- S/N .....CH1~CH6:more than 50dB  
Phono(CD for USA/CANADA):more than 55dB(more than 70dB)  
Telephone In, Link In:more than 65dB  
Amp In:more than 95dB
- Graphic Equalizer.....±12dB  
(100Hz,330Hz, 1kHz, 3.3kHz, 10kHz)
- Input Sensitivity/Impedance...CH 1~CH 6:-70~-22dB/600Ω  
Phono(CD for USA/CANADA):-54dB/22kΩ(-6dB/20kΩ)  
Link In-20dB/15kΩ
- Telephone In .....EC & Associated:-2dB(0.775V)/600Ω  
USA/CANADA & Associated:-10dB(0.3V)/600Ω  
Amp In:0dB/4700Ω
- Speaker Output/Impedance ...EC & Associated:4Ω/30V  
USA/CANADA & Associated:4Ω/30V, 8Ω/43V, 21Ω/70V
- Amp Out/Impedance .....0dB/600Ω
- Link Out/Impedance .....-6dB/600Ω

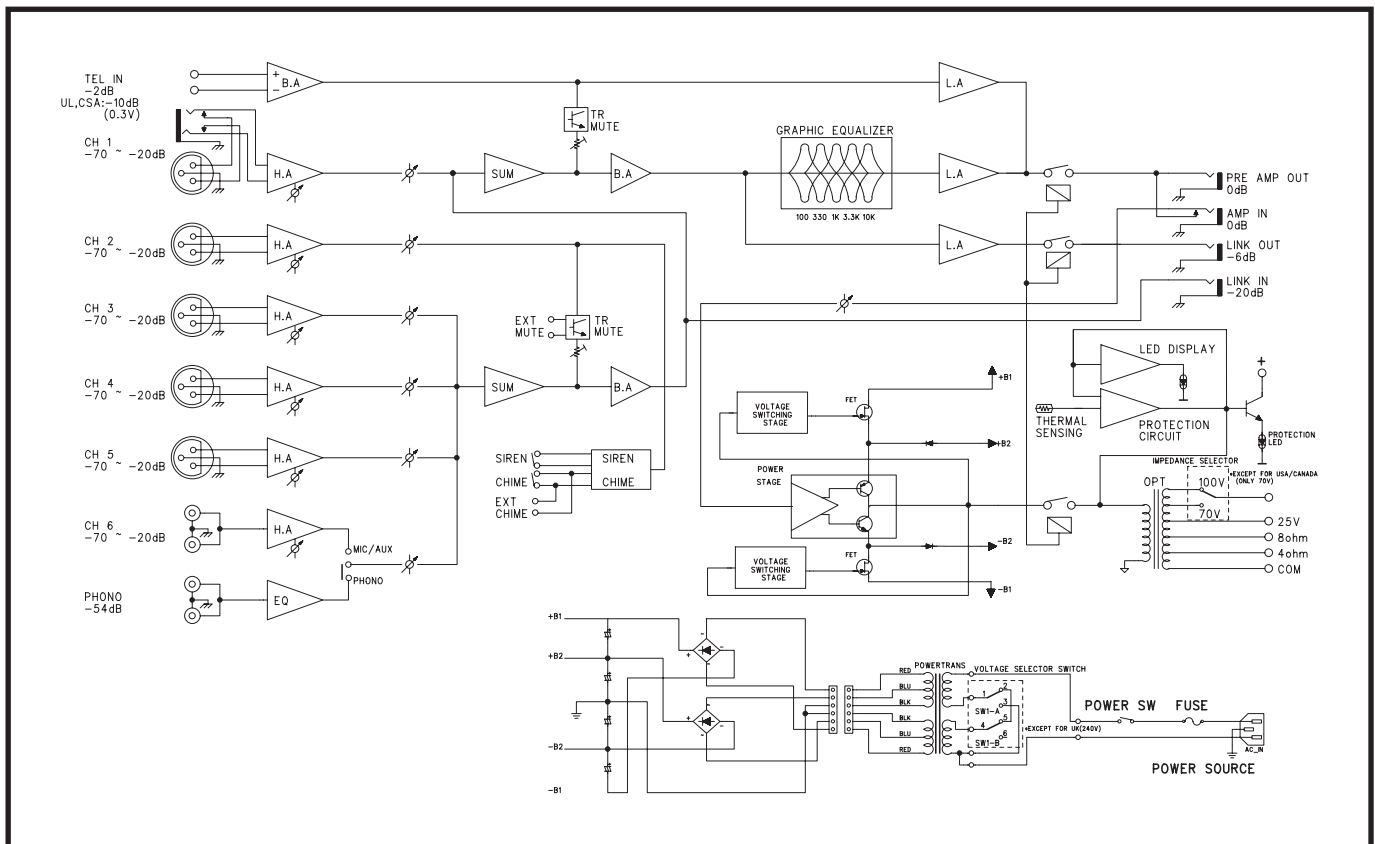
#### ■ GENERAL

- Power Source....AC 100-120VAC or 220-240VAC, 50/60Hz  
(supplied AC mains transformer depends on country requirements)
- Power Consumption.....240W
- Weight.....13.5kg/29.7lb
- Dimensions .....420(W)x133(H)x320(D)mm  
16.5(W)x5.2(H)x12.5(D)in

# PA-6000A



## BLOCK DIAGRAM



**interM**

OFFICE : 653-5 BANGHAK-DONG, DOBONG-KU, SEOUL, KOREA TEL : 82-2-2289-8140~8, FAX : 82-2-2289-8149  
 Home page : <http://www.inter-m.com> E-mail : [overseas@inter-m.com](mailto:overseas@inter-m.com)