

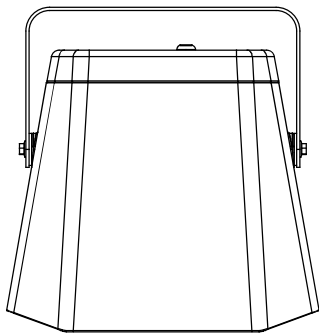
■DESCRIPTION

The CS-760B-AS Music Horn speaker features stainless steel hardware for all-weather durability. It is designed to offer the high intelligibility of weather-resistant horns combined with the high sound quality of dynamic speakers. The CS-760B-AS employs the rotary switch that facilitates impedance changes.

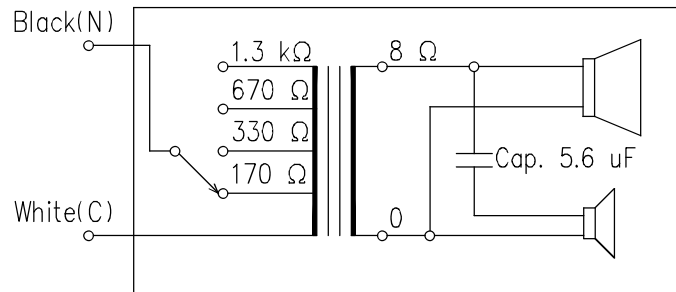
■SPECIFICATIONS

Rated Input	60 W
Rated Impedance	100 V line: 170 Ω (60 W), 330 Ω (30 W), 670Ω (15 W) 1.3 kΩ (7.5 W)
Sensitivity	97 dB (1 W, 1 m)
Frequency Response	100 Hz - 20 kHz
Speaker Component	Coated 16 cm cone-type (Woofer), High Efficiency 5 cm (Tweeter)
Coverage Angle	Horizontal : 105° Vertical : 140°
Speaker Cord	2-core cabtyre cord with diameter of 6 mm
Operating Temperature	-20 °C to +55 °C
Dust/Water Protection	IP66
Finish	Horn, cover: ABS resin, Black, paint Bracket: Stainless steel Net: Aluminum, Black, paint Screw: Stainless steel
Dimensions	386 (W) × 310 (H) × 367 (D) mm
Weight	7.0 kg

■APPEARANCE

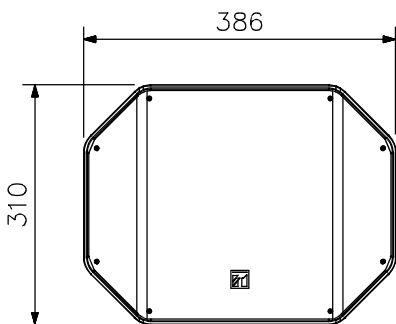


Top View

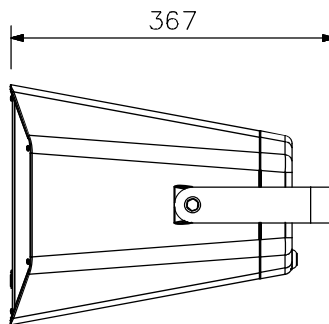


(Transformer connection when the speaker is supplied from the factory)

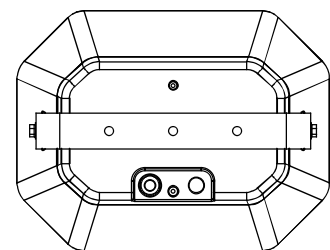
Wiring Diagram



Front View



Side View



Rear View

Tentative

UNIT:mm SCALE:1/5