

DESCRIPTION

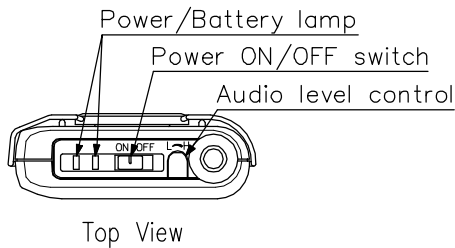
The WM-5325 wireless transmitter has been manufactured for use with a UHF system. It is for use in speech reinforcement applications. Thanks to the PLL-synthesizer system, 64 different operating frequencies are made available. A high output power ensures stable radio signal transmission.

SPECIFICATIONS

(*1) 0 dB = 1 V

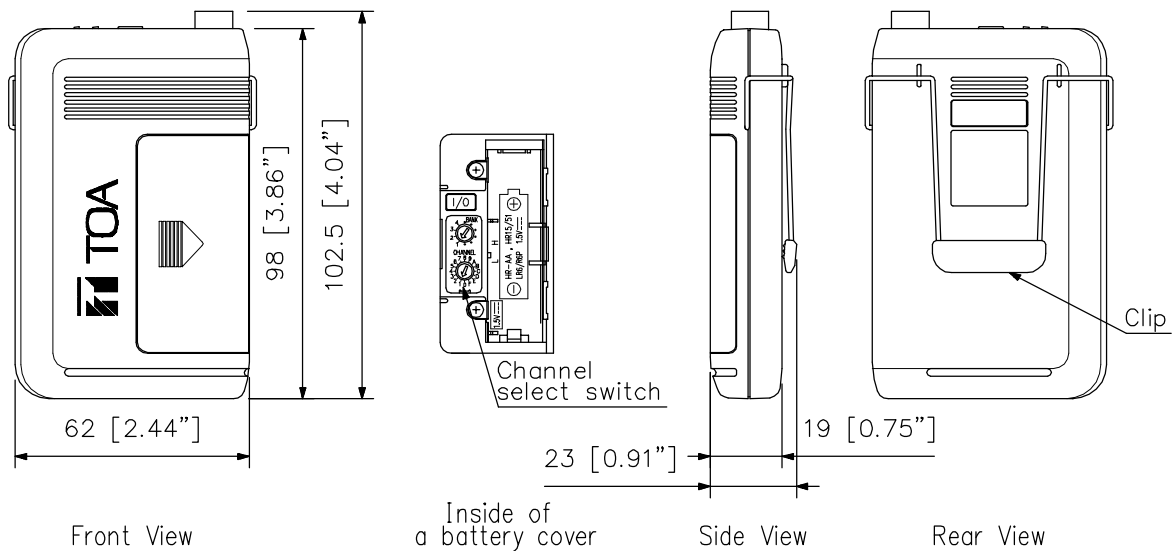
Modulation	Frequency modulation
Frequency Range	576 - 937.5 MHz (*2), UHF
Channel Selectable	64 channels (the number of channels may differ from country to country)
RF Carrier Power	Less than 50 mW (Factory preset 10 mW ERP)
Tone Frequency	32.768 kHz
Oscillator	PLL synthesized
Maximum Input Level	-14 dB to -29 dB (*1) (Audio level control: Min. to Max.)
Maximum Deviation	±40 kHz
Audio Frequency Response	100 Hz - 15 kHz
Battery	WB-2000 (WB-2000-2 contains 2 pieces) rechargeable battery (option) or AA alkaline dry cell battery
Battery Life	Approx. 13 h (when the WB-2000 rechargeable battery is used) Approx. 10 h (when the alkaline battery is used)
Indicator	Power/Battery lamps
Antenna	Built-in type
Connector	ø3.5 mm (ø0.14") mini plug
Operating Temperature	-10 °C to +50 °C (14 °F to 122 °F) (except battery)
Operating Humidity	30 % to 85 %RH (no condensation)
Finish	Resin, coating
Dimensions	62 (W) × 102.5 (H) × 23 (D) mm (2.44" × 4.04" × 0.91")
Weight	90 g (0.2 lb) (with battery)
Accessory	Screw driver ---1, Storage case ---1, Neck strap ---1
Option	Unidirectional lavalier microphone: YP-M5300 Omnidirectional lavalier microphone: YP-M5310 Headset microphone: WH-4000A, WH-4000H

APPEARANCE



(*2)

Type	Frequency Range
A01	692 - 722 MHz, UHF
B01, B02	722 - 752 MHz, UHF
C01 - C07	794 - 830 MHz, UHF
D01 - D05	830 - 865 MHz, UHF
E01	668 - 698 MHz, UHF
F01	636 - 666 MHz, UHF
G01, G02	606 - 636 MHz, UHF
H01	576 - 606 MHz, UHF
K01	925 - 937.5 MHz, UHF



UNIT: mm SCALE: 1/2